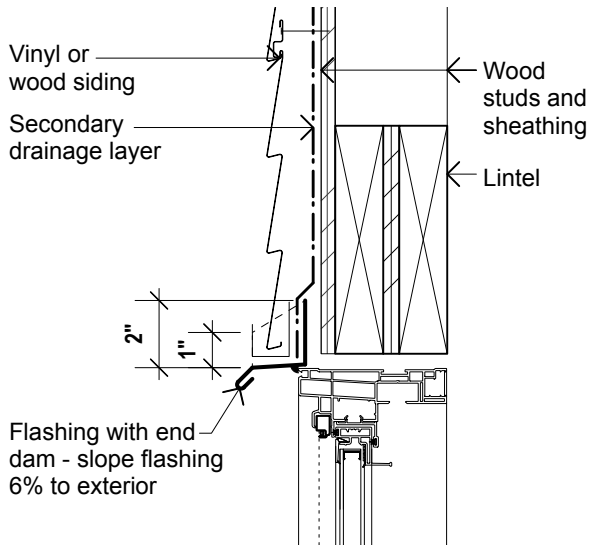


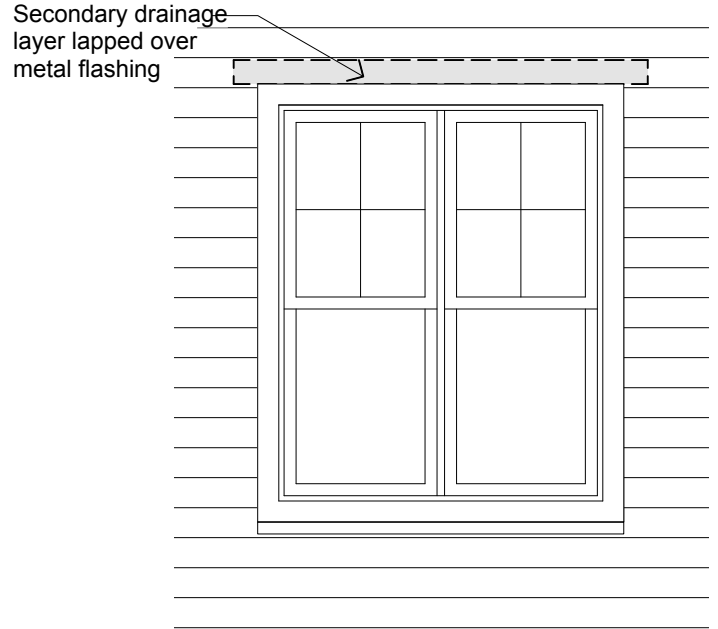


Flashing Detail Sample(s)

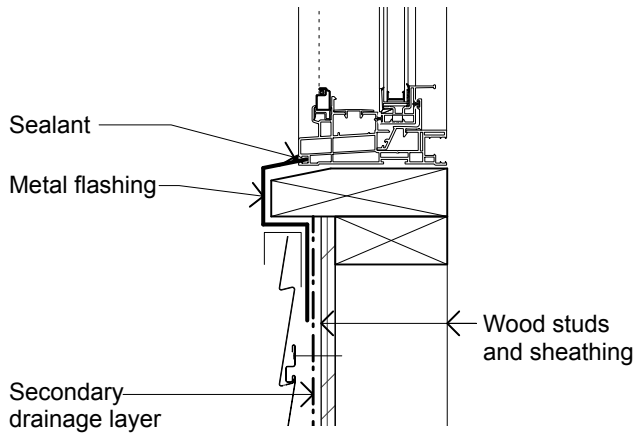
Building Department
 (T) 705-636-5941
 (F) 705-636-5759
 Mike Wilmon, CBCO
 Chief Building Official



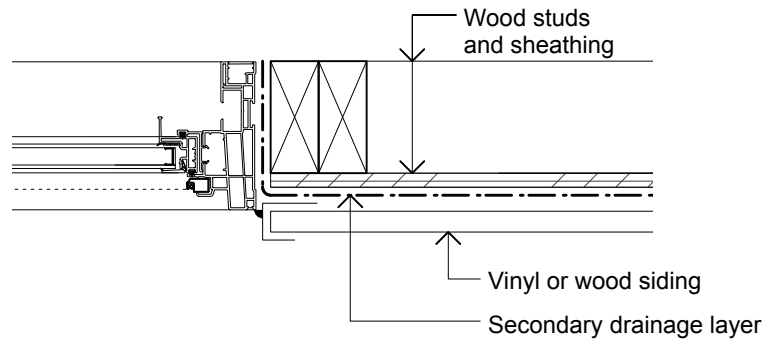
VINYL WINDOW HEAD
 NOT TO SCALE



WINDOW ELEVATION
 NOT TO SCALE



VINYL WINDOW SILL
 NOT TO SCALE



VINYL WINDOW JAMB
 NOT TO SCALE

NOTES: Flashing installation per OBC 9.27.3.8.(4)

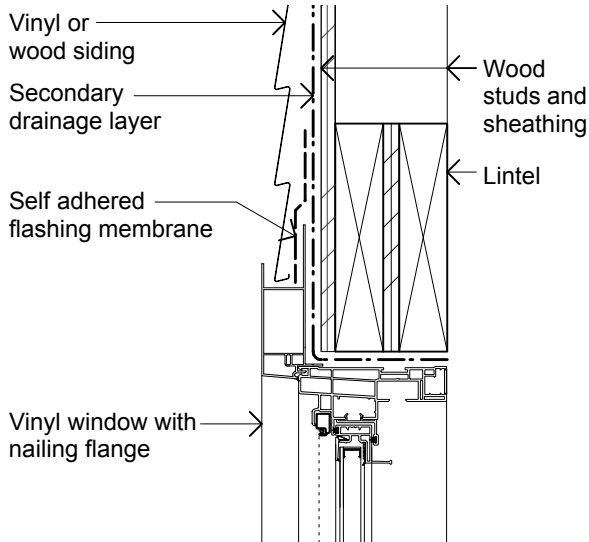
When a window without a nailing flange is used, drip edge flashing with end dams must be installed at window head. Self adhered membrane flashing may be used to seal the flashing to the secondary drainage layer.

VINYL WINDOW WITHOUT INTEGRATED NAILING FLANGE

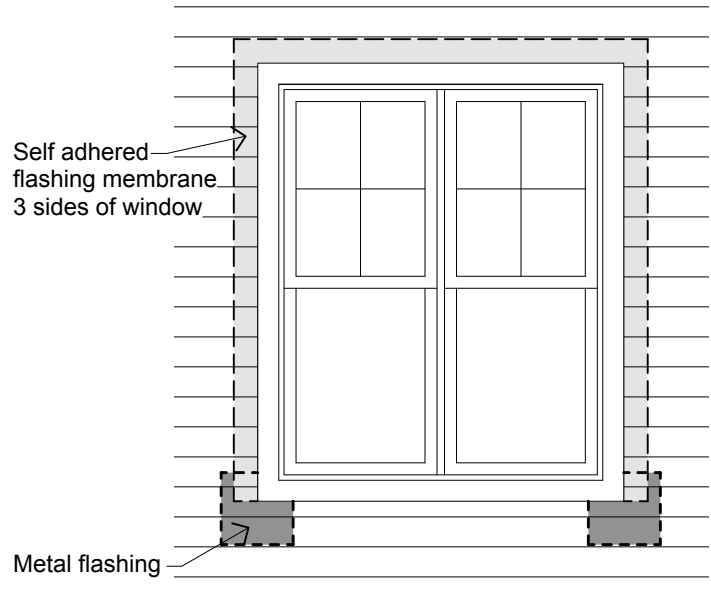


Flashing Detail Sample(s)

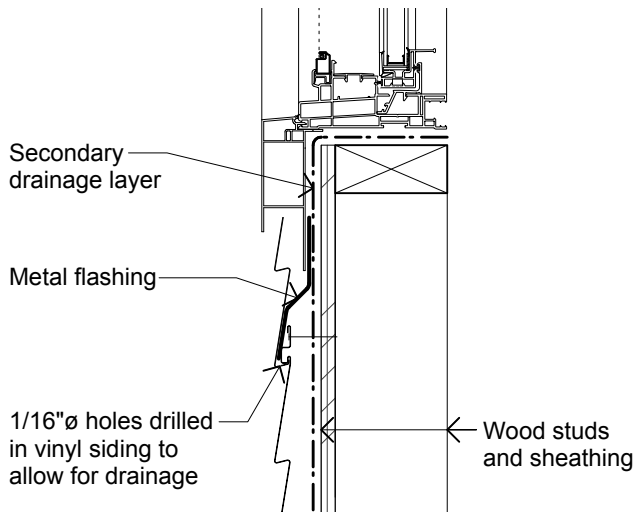
Building Department
 (T) 705-636-5941
 (F) 705-636-5759
 Mike Wilmon, CBCO
 Chief Building Official



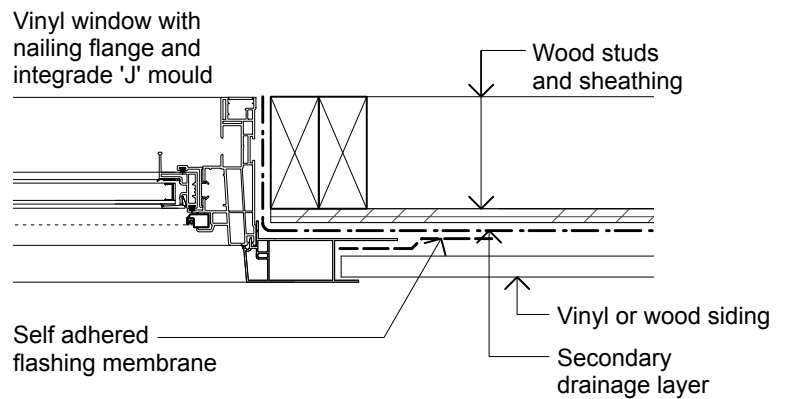
VINYL WINDOW HEAD
 NOT TO SCALE



WINDOW ELEVATION
 NOT TO SCALE



VINYL WINDOW SILL
 NOT TO SCALE



VINYL WINDOW JAMB
 NOT TO SCALE

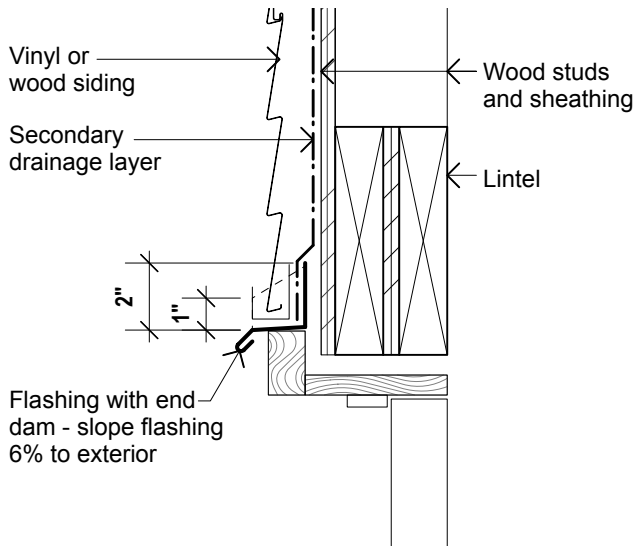
NOTES: Acceptable Alternative
 When window with integrated 'J' mould and nailing flange is used, metal flashing shall be installed at both bottom corners as shown in elevation and window sill detail. Self adhered flashing membrane shall be installed on both jambs overlapping the metal at bottom corners, and across head.

VINYL WINDOW WITH INTEGRATED NAILING FLANGE

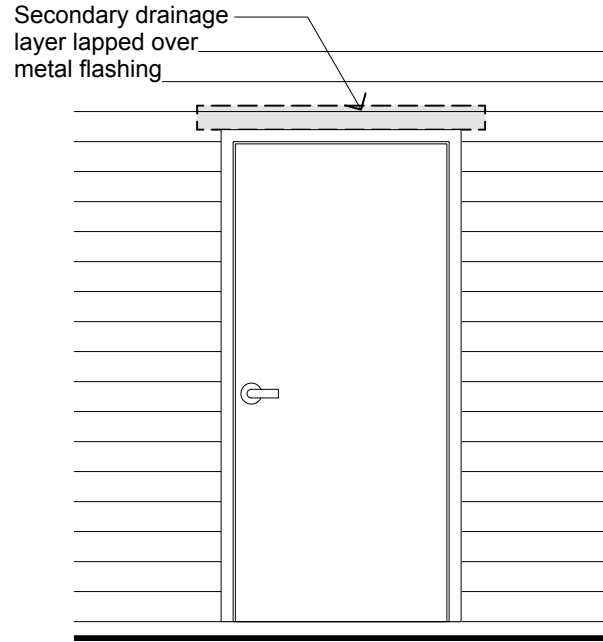


Flashing Detail Sample(s)

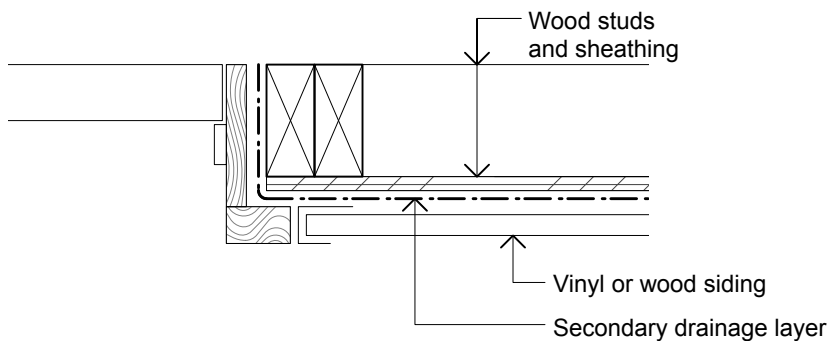
Building Department
(T) 705-636-5941
(F) 705-636-5759
Mike Wilmon, CBCO
Chief Building Official



○ **DOOR HEAD DETAIL**
NOT TO SCALE



○ **DOOR ELEVATION**
NOT TO SCALE



○ **DOOR JAMB DETAIL**
NOT TO SCALE

NOTES: Flashing installation per OBC 9.27.3.8.(4)

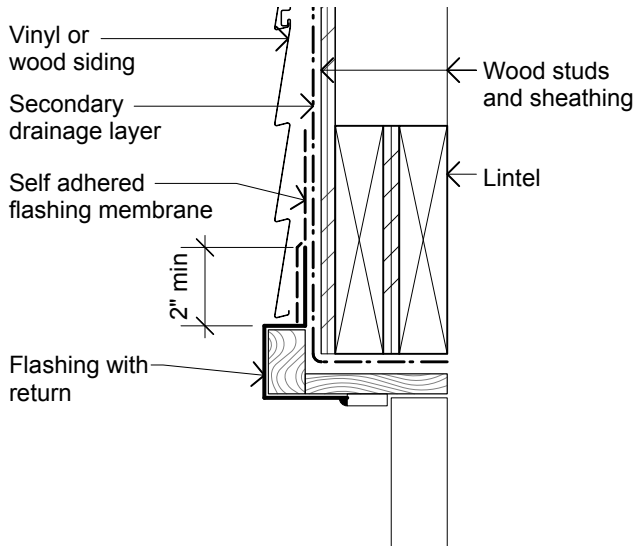
When no metal flashing is installed, drip edge flashing with end dams must be installed at door head. Self adhered membrane flashing may be used to seal the flashing to the secondary drainage layer. Door jambs must be painted or otherwise suitably finished.

**DOOR WITHOUT METAL FLASHING (CAPPING)
(OVERHEAD DOOR SIMILAR)**

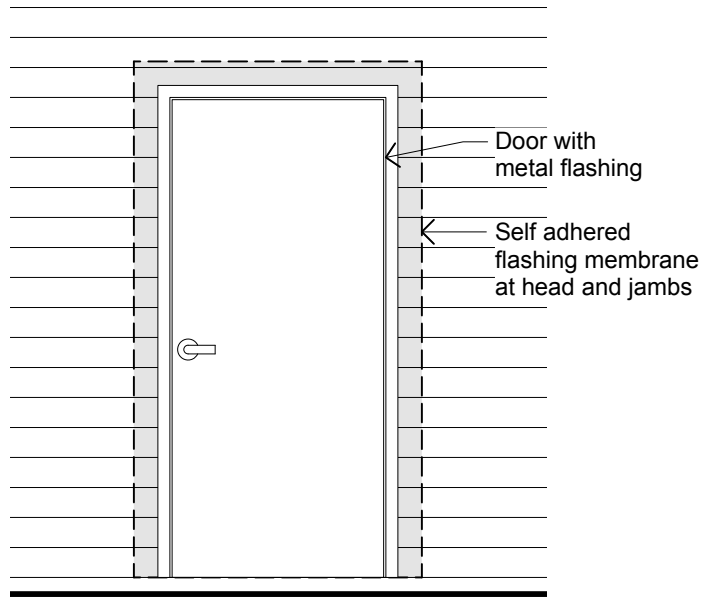


Flashing Detail Sample(s)

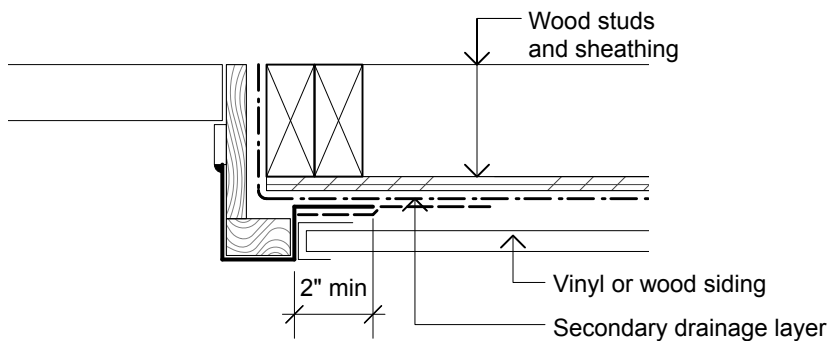
Building Department
 (T) 705-636-5941
 (F) 705-636-5759
 Mike Wilmon, CBCO
 Chief Building Official



○ **DOOR HEAD DETAIL**
 NOT TO SCALE



○ **DOOR ELEVATION**
 NOT TO SCALE



○ **DOOR JAMB DETAIL**
 NOT TO SCALE

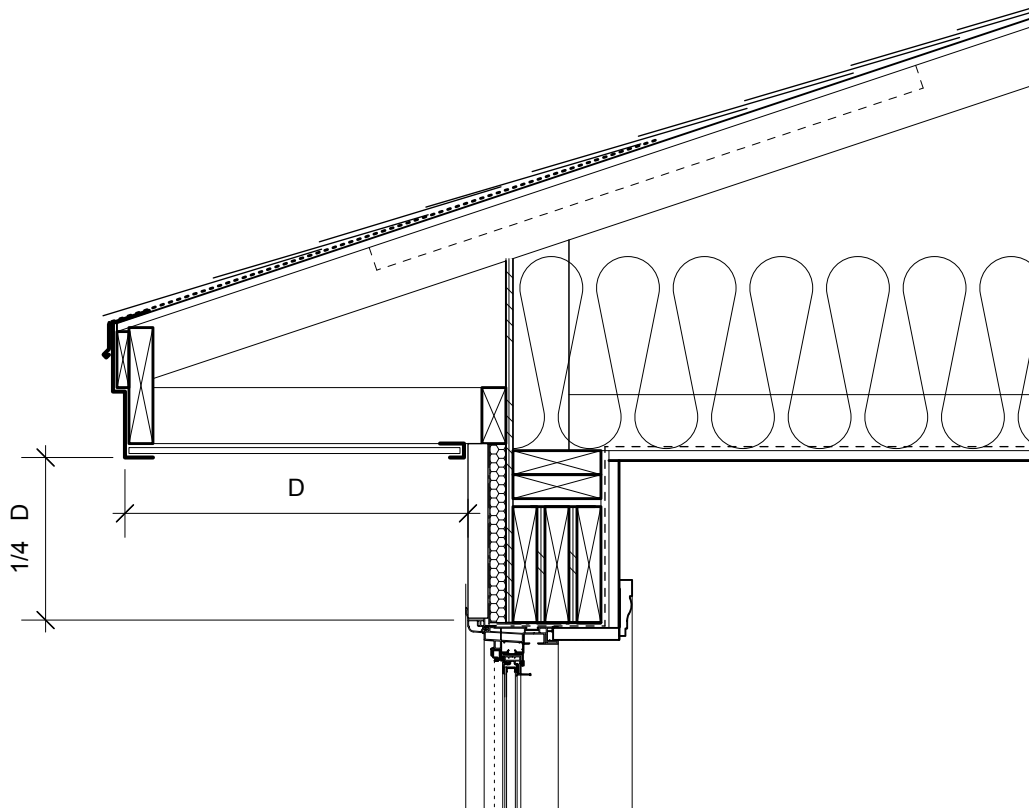
NOTES: Acceptable Alternative
 When metal flashing is installed on doors (overhead or man doors) as shown in details, no drip edge flashing is required. A 2" wide return must be bent into flashing and sealed to secondary drainage layer with self adhered membrane flashing at door head and jambs.

**DOOR WITH METAL FLASHING (CAPPING)
 (OVERHEAD DOOR SIMILAR)**



Flashing Detail Sample(s)

Building Department
(T) 705-636-5941
(F) 705-636-5759
Mike Wilmon, CBCO
Chief Building Official



When the dimension between the window head and the overhang (soffit or floor above) is $\frac{1}{4}$ the dimension of the overhang, then no window head flashing is required.
9.27.3.8.(3) OBC.